



Nanobubble Generator

NBG-0.75" STAINLESS STEEL 316L



Features and Benefits

- Full Stainless Steel 316L Construction
- Compatible with ALL Gases including Ozone
- Easy to remove Dual Titanium 100 nm Injectors
- Proven nanobubble production in excess of 400 million/ml
- Average size of 100nm-sized bubbles
- Length 11.75" with Sanitary Flange Quick Clamp Interface 1.984" OD or Barb
- Low gas pressure requirements
- Food Grade safe metals.
- High transfer efficiency >80% OTE
- Modular Design allowing for quick integration and installation

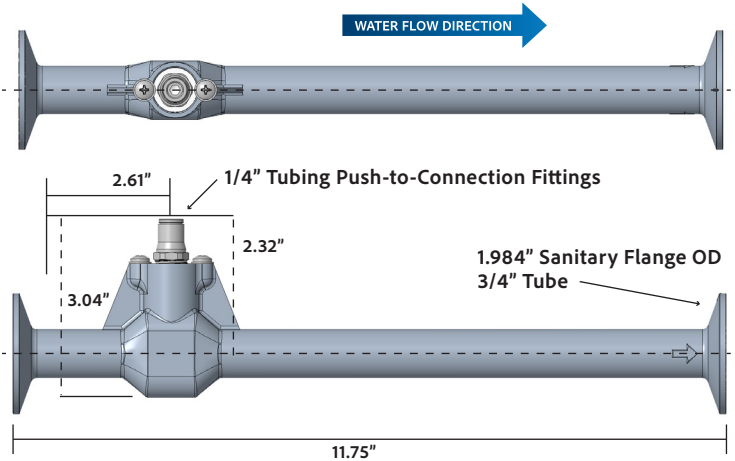
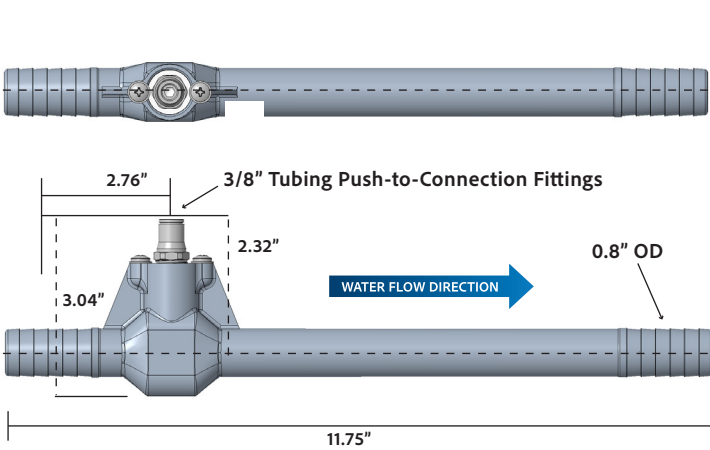
O2 Technologies Nanobubble generators are industry-leading in nanobubble generation, delivering unmatched efficiency. The full 316L stainless steel construction and modular connections allows for quick integration into systems while ensuring easy maintenance. The robust construction and high-quality materials provide reliable performance that you can count on.



Nanobubble Generator

NBG-0.75" STAINLESS STEEL 316L

TECHNICAL DETAILS



GENERAL

| | |
|--------------------|--|
| Material | Stainless Steel 316L |
| Accessories | 11" Extension Vane available |
| Injector | Titanium 100nm (removable) |
| Injector Interface | 1/4" Push-to-connect Tube fitting to 1/4 NPT |

SIZE AND WEIGHT

| | |
|----------------|--------------------|
| Pipe Flow Size | 0.75" |
| Length | 11.75" |
| Weight | - |
| Connection | 1.984" Quick Clamp |



Quick Clamp interfaces are modular and allow for connection to any 1.984" Flange adapter. Parts and accessories are available under various brands like Quick Clamp, Tri-Clamp, and Sanitary Clamps.

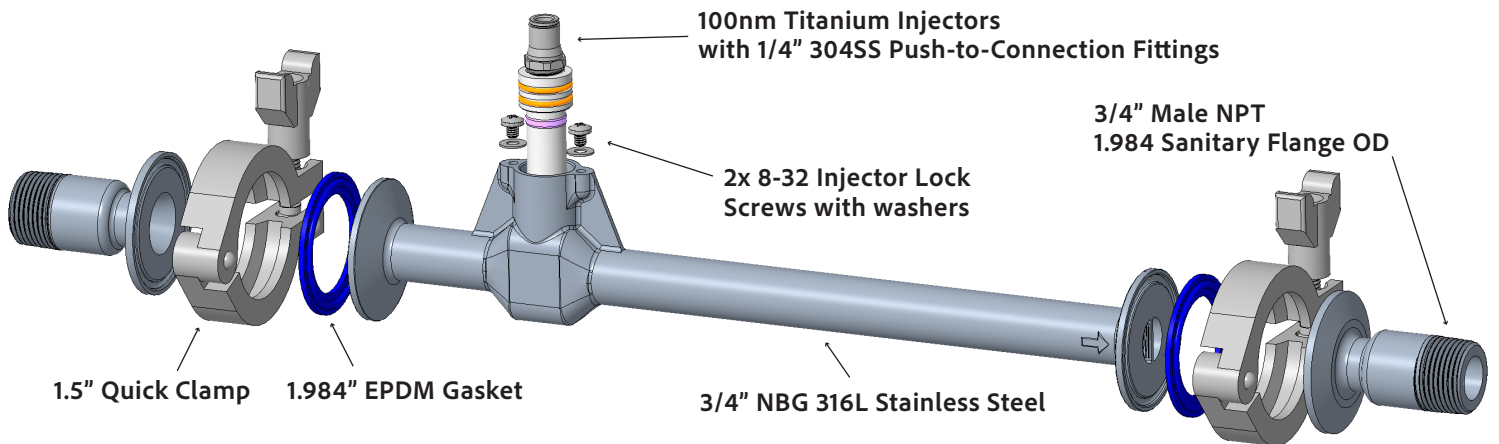
QUICK CLAMP COTS PARTS EXAMPLES

| | |
|--------------------|---------------------------|
| Female NPT Adapter | 4322K874 – McMaster Carr |
| Male NPT Adapter | 50485K511 – McMaster Carr |
| Clamp | 4322K152 – McMaster Carr |
| Gasket | 1100N13 – McMaster Carr |



Nanobubble Generator

NBG-0.75" STAINLESS STEEL 316L



International/USA
sales@o2nanotech.com
www.o2nanotech.com