



# Nanobubble Generator

NBG-1.5" STAINLESS STEEL 316L



## Features and Benefits

- Full Stainless Steel 316L Construction
- Compatible with ALL Gases including Ozone
- Easy to remove Dual Titanium 100 nm Injectors
- Proven nanobubble production in excess of 400 million/ml
- Average size of 100nm-sized bubbles
- Length 11.75" with Sanitary Flange Quick Clamp Interface 1.984" OD
- Low gas pressure requirements
- Food Grade safe metals.
- High transfer efficiency >80% OTE
- Modular Design allowing for quick integration and installation

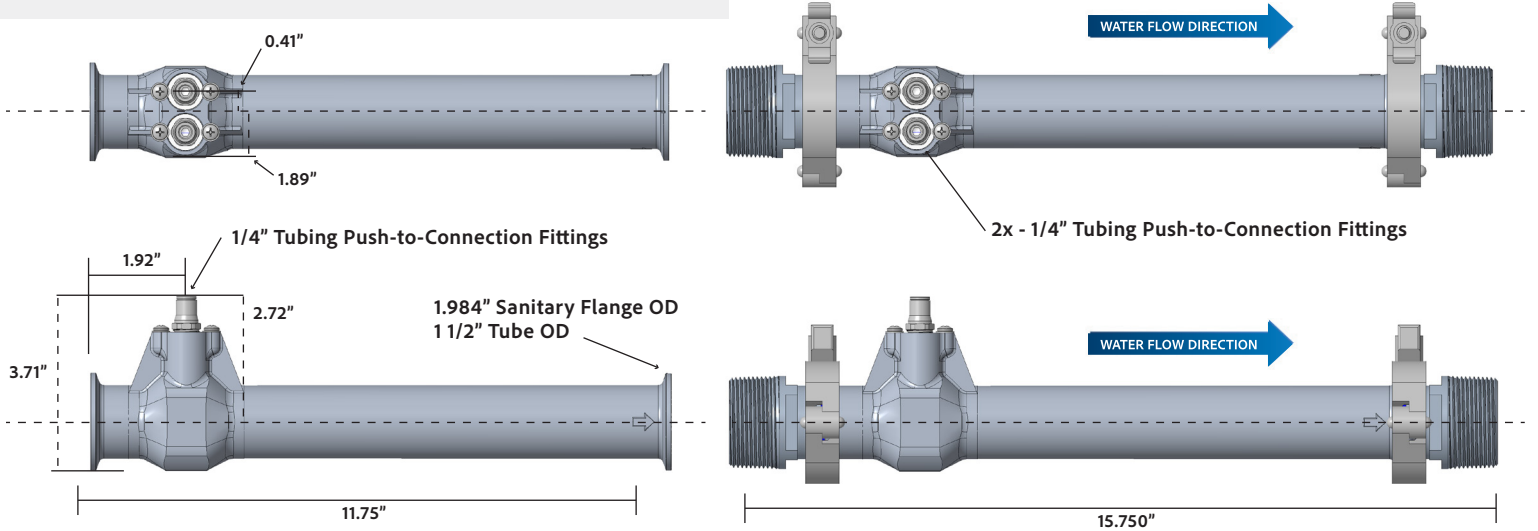
*O2 Technologies Nanobubble generators are industry-leading in nanobubble generation, delivering unmatched efficiency. The full 316L stainless steel construction and modular connections allows for quick integration into systems while ensuring easy maintenance. The robust construction and high-quality materials provide reliable performance that you can count on.*



# Nanobubble Generator

## NBG-1.5" STAINLESS STEEL 316L

### TECHNICAL DETAILS



### GENERAL

Material	Stainless Steel 316L
Accessories	11" Extension Vane available
Injector	Titanium 100nm (removable)
Injector Interface	1/4" Push-to-connect Tube fitting to 1/4 NPT

### SIZE AND WEIGHT

Pipe Flow Size	1.5"
Length	11.75"
Weight	-
Connection	1.984" Quick



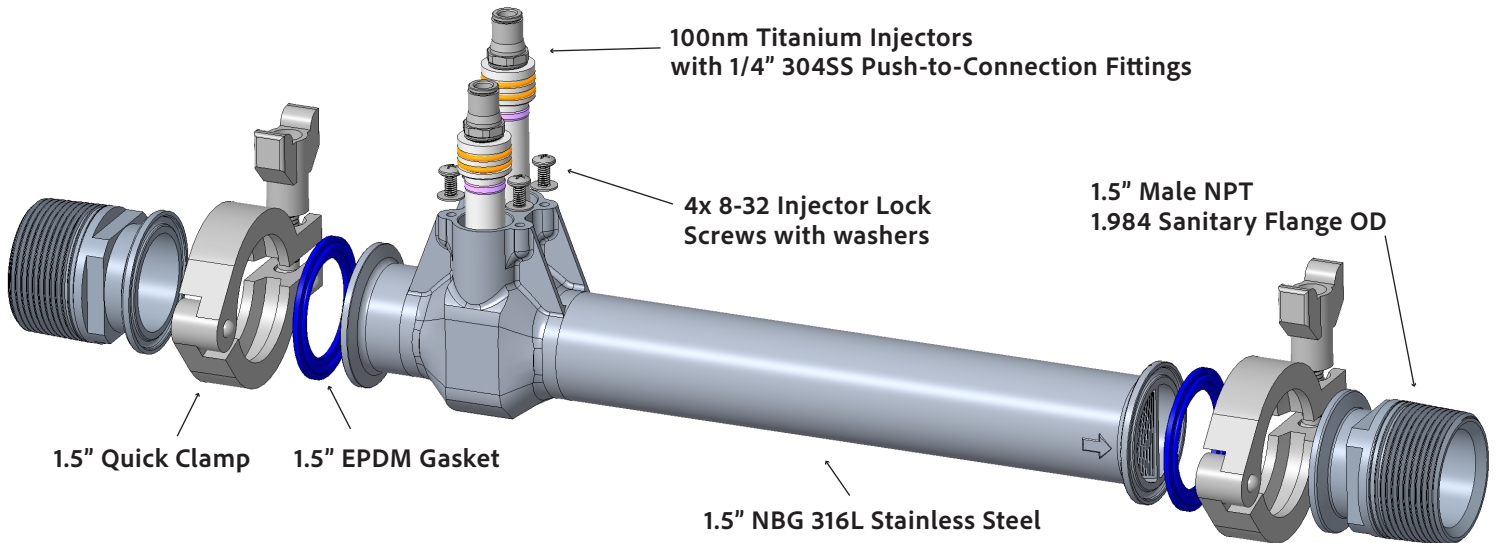
### QUICK CLAMP COTS PARTS EXAMPLES

Female NPT Adapter	50485K522 – McMaster Carr
Male NPT Adapter	50485K512 – McMaster Carr
Clamp	4322K152 – McMaster Carr
Gasket	1100N14 – McMaster Carr



# Nanobubble Generator

## NBG-1.5" STAINLESS STEEL 316L



International/USA  
sales@o2nanotech.com  
www.o2nanotech.com